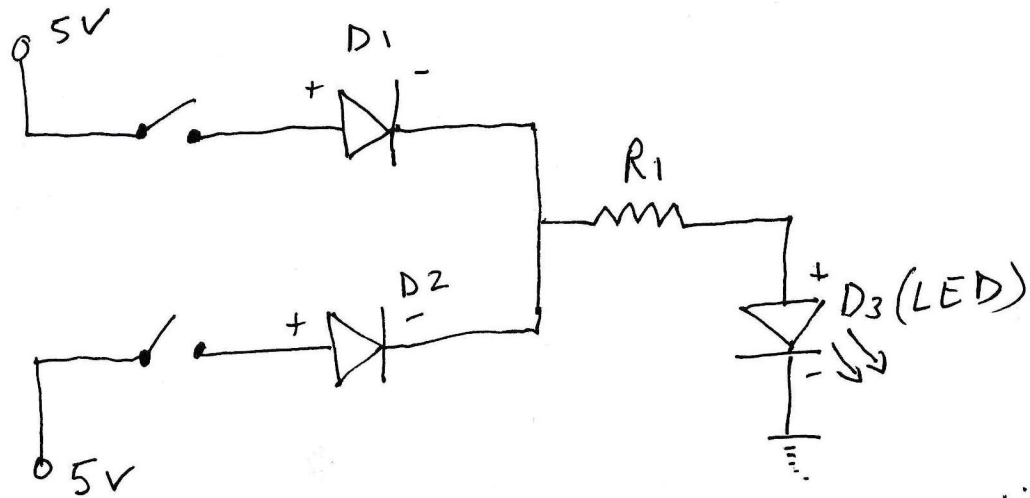
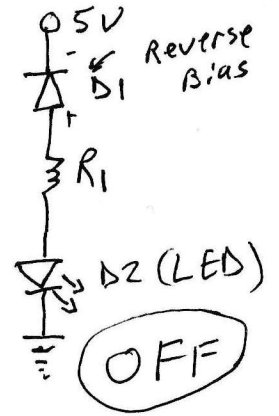
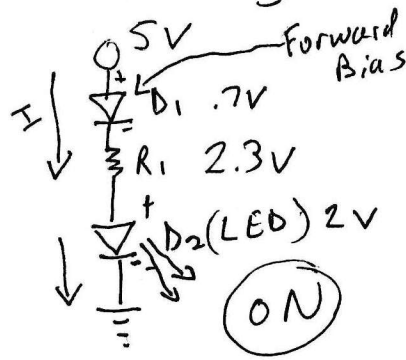


Diodes and Diode Logic LAB

①

OR Gate

A	B	output
0	0	0
0	1	1
1	0	1
1	1	1



Light off = 0
Light on = 1

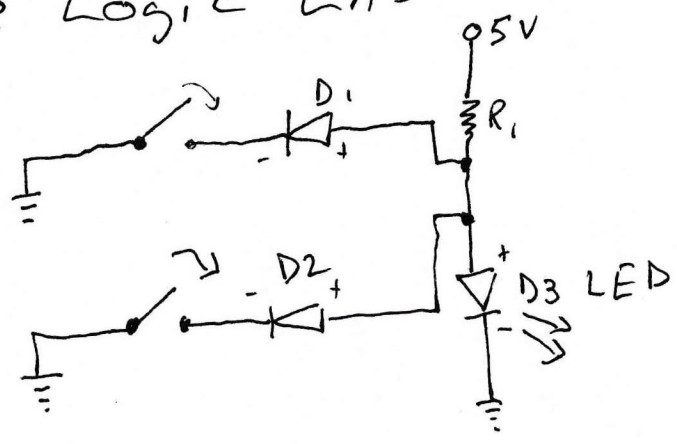
A	B	out
0	0	0 - Light off
0	1	1 - Light on
1	0	1 - Light on
1	1	1 - Light on

Diode and Diode Logic LAB

(2)

NOR GATE

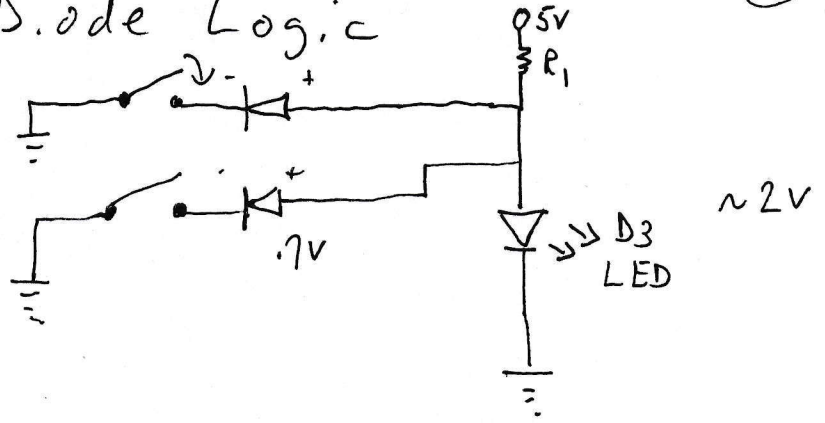
A	B	Output
0	0	1
0	1	0
1	0	0
1	1	0



Diode and Diode Logic

AND Gate

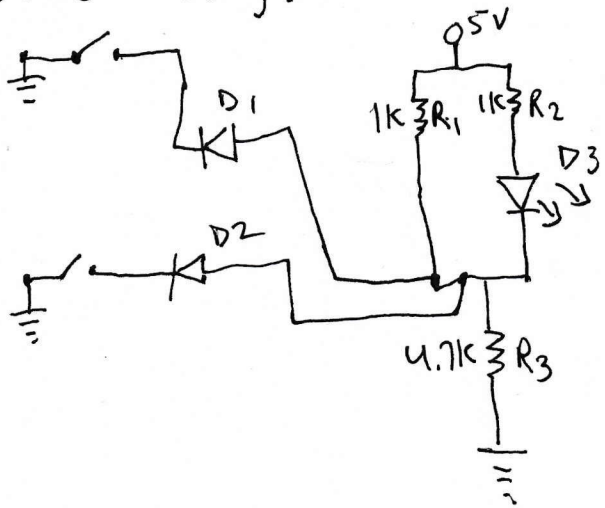
A	B	out
0	0	0
0	1	0
1	0	0
1	1	1



Diode and Diode Logic

NAND GATE

A	B	out
0	0	1
0	1	1
1	0	1
1	1	0



BIBLE Verse KJV

James 1:5

"If any of you lack wisdom, let him ask of God, that giveth to all men liberally, and upbraideth not; and it shall be given him."